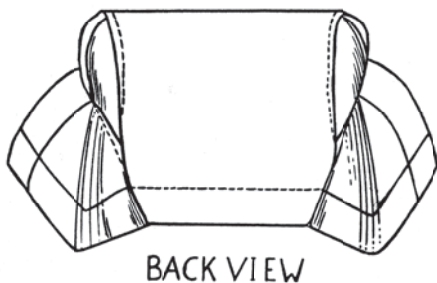
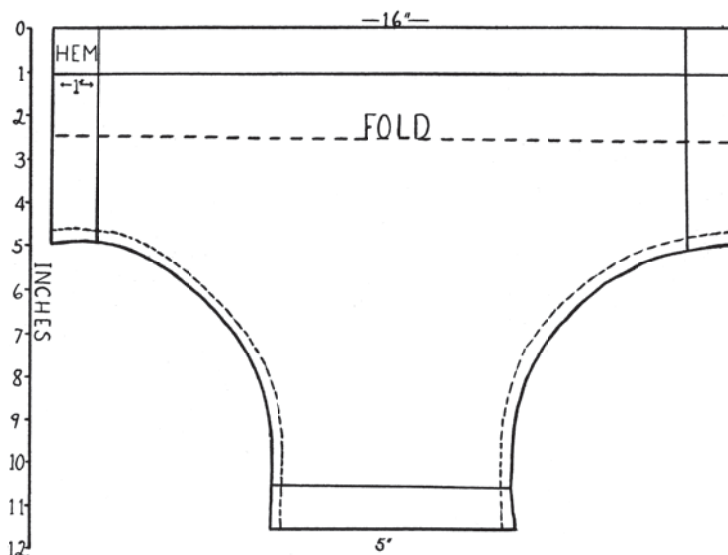
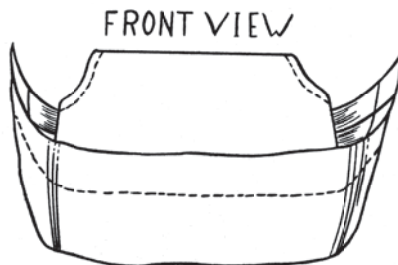


Nursing Caps, 1906-1975

Reprinted from the 1952-53 Bulletin (page 6)



BACK VIEW



FRONT VIEW

The Lutheran Hospital School of Nursing Cap

The School of Nursing and Lutheran graduates have been criticized much because of the lack of uniformity with which we wear our caps.

During the past year the Alumnae Association appointed a Committee to investigate details of the original cap. Nothing definite was found except with reference to the depth of the cuff. The Alumnae Association and the School of Nursing made the final decision. The above drawings show what now has been officially accepted as the standard method of folding and pinning the cap. The drawings

also show exact dimensions and size of the hems. It was impossible to consider every graduate's and every student's wishes but an effort was made to select a method which would be acceptable to the majority of our nurses.

The cuff of the cap should be turned back exactly $2\frac{1}{2}$ inches. The small hems are not to be turned under except where the corners are pinned together. The corners are to be pinned as near the small hems as possible.

Caps may be obtained from the School of Nursing for forty cents each. It is hoped that every graduate of the Lutheran will provide herself with a cap of the specified dimensions and wear it according to the standard which has been accepted.

NURSING CAPS
1975 & Following



1. Freshmen wear the cap with no stripe following the usual capping ceremony.



2. Juniors receive one stripe that is placed parallel to the left edge.



3. Seniors wear one stripe placed 1/4" from the top edge.



4. Linda Detring, Class of 1969, models the new graduation cap with two stripes.